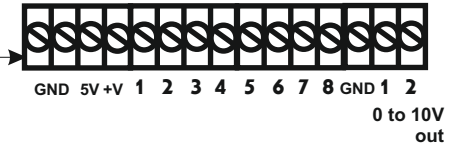




TempTron 616 version 7491/6

Temp sensor 1 = GND + Input 1  
 Temp sensor 2 = GND + Input 2  
 Outside Temp sensor = GND + Input 6  
 Humidity sensor = GND + Input 7

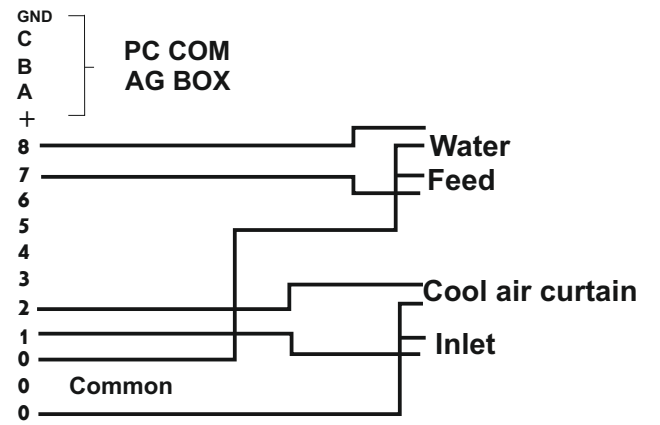
**Analog inputs**



**Digital Inputs**

Water = Common + Input 8  
 Feed (NO) = Common + Input 7

Flap 2 feedback (NC) = Common + Input 2  
 Flap 1 feedback (NC) = Common + Input 1



0.5 AMP Fuse

