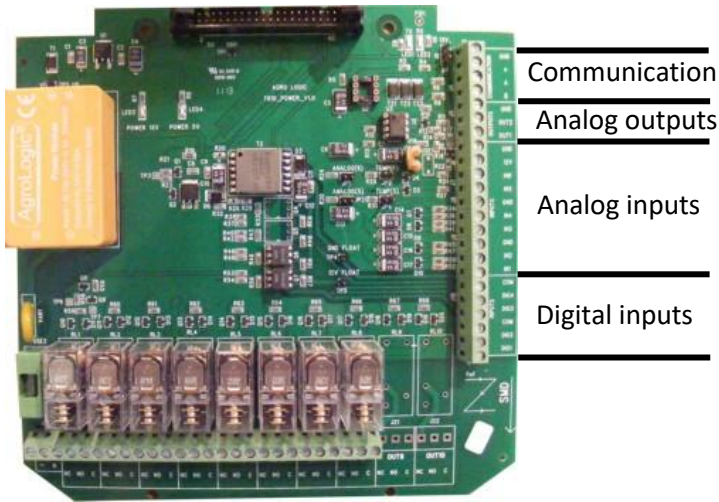


TempTron 607 Ver d.381



Digital input connectors

DIG 1	water
DIG 2	feed
DIG 3	
DIG 4	

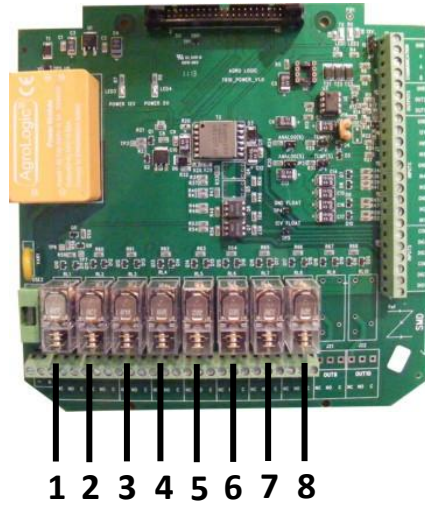
Analog input connectors

IN 1	Temperature sensor 1
IN 2	Temperature sensor 2
IN 3	Temperature sensor 3
IN 4	CO2
IN 5	NH3
IN 6	Humidity

Analog outputs

Out 1	Curtain
Out 2	Curtain

Relay connections



Relay connections

Relay 1	Alarm
Relay 2	HEAT_RELAY
Relay 3	HEAT2_RELAY
Relay 4	FAN_1_RELAY
Relay 5	FAN_2_RELAY
Relay 6	FAN_3_RELAY
Relay 7	FAN_4_RELAY
Relay 8	FAN_5_RELAY

Hidden function list

Hidden Functions are functions are not found on the front panel function list and can be seen only after they are unlocked.

To unlock hidden function, follow these steps:

A. Go to the time function (function 01)

B. Push on “PROG”

C. Enter “3331” and then press "Enter".

Now the hidden functions will be unlocked and can be accessed.

/* 44 */ LockCode
/* 45 */ Navr
/* 46 */ NetName
/* 47 */ Dig inputs
/* 48 */ Feed Mode // 0 - feed count by time 1 - feed count by pulse
/* 49 */ Fan Mode // 0 - min fan cirulats from fan1 ,fan2 etc.
/* 50 */ Protocol
/* 51 */ Heat1Sensor
/* 52 */ Heat2Sensor
/* 53 */ CAL Sensor1
/* 54 */ CAL Sensor2
/* 55 */ CAL Sensor3
/* 56 */ CAL Hum,
/* 57 */ CAL CO2
/* 58 */ CAL Ammonia
/* 59 */ Reverse 0 10V Flap// 0 - 0-10V 1 - 10-0V
/* 60 */ Version