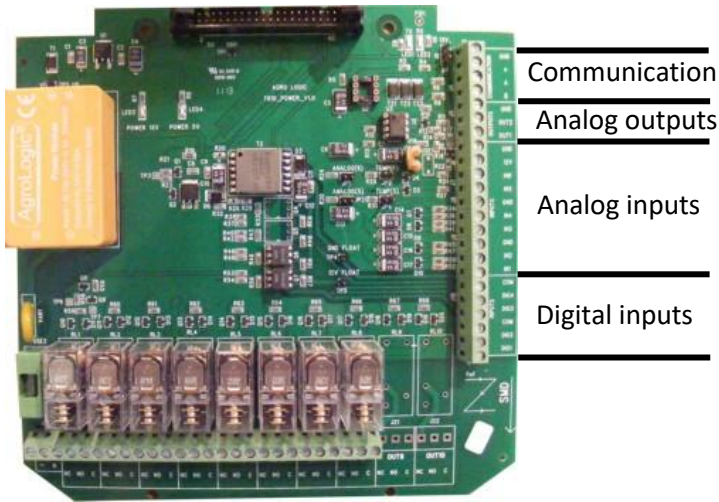


# TempTron 607 Ver b204



## Digital input connectors

DIG 1	Water count
DIG 2	Feed count
DIG 3	
DIG 4	

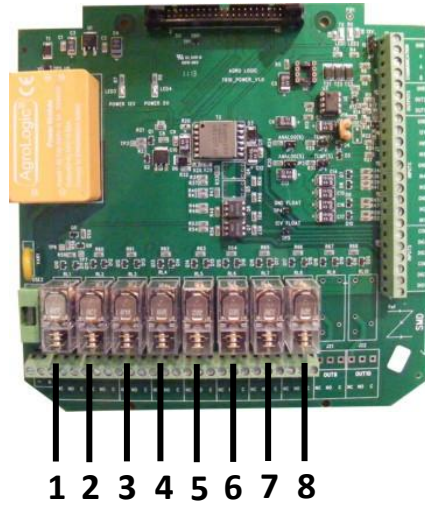
## Analog input connectors

IN 1	Temperature sensor 1
IN 2	Temperature sensor 2
IN 3	Temperature sensor 3
IN 4	Temperature sensor 4
IN 5	Temperature sensor 5
IN 6	Humidity sensor

## Analog outputs

Out 1	
Out 2	

### Relay connections



### Relay connections

Relay 1	Alarm
Relay 2	HEAT1_RELAY
Relay 3	FAN_1_RELAY
Relay 4	FAN_2_RELAY
Relay 5	FAN_3_RELAY
Relay 6	FAN_4_RELAY
Relay 7	FAN_5_RELAY
Relay 8	COOL_RELAY

### **Hidden function list**

Hidden Functions are functions are not found on the front panel function list and can be seen only after they are unlocked.

To unlock hidden function, follow these steps:

- A. Go to the time function (function 01)
- B. Push on "PROG"
- C. Enter "3331" and then press "Enter".

Now the hidden functions will be unlocked and can be accessed.

/* 35 */ LockCode
/* 36 */ Navr
/* 37 */ Dig inputs
/* 38 */ Feed Mode // 0 - feed count by time, 1 - feed count by pulse
/* 39 */ Fan Mode // 0 - min fan cirulats from fan1 ,fan2 etc.
/* 40 */ Protocol
/* 41 */ Version