

Vision Power Card Installation Reference



Program version:AVI192601E

U11 Chip Version:34

Digital Inputs

1	SIDE CURTAIN 1 FEEDBACK	11	WATER COUNT
2	SIDE CURTAIN 2 FEEDBACK	12	AUGER FEEDBACK
3	DAMPER FEEDBACK	13	
4	TUNNEL CURTAIN FEEDBACK	14	
5		15	
6		16	
7		17	
8		18	
9		19	AC POWER ALARM
10		20	SILO (A TO D)

Analog Outputs 0 – 10 Volt

1	LIGHT DIMMER	4	LIGHT DIMMER (RESERVED)
2	SPEED FAN 1	5	SPEED FAN 1 (RESERVED)
3	SPEED FAN 2	6	SPEED FAN 2 (RESERVED)

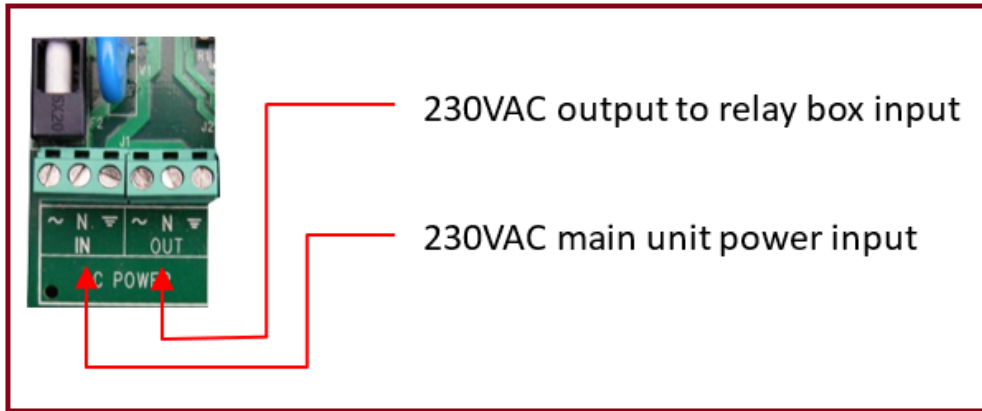
Temperature Sensors

1	TEMPERATURE SENSOR 1
2	TEMPERATURE SENSOR 2
3	TEMPERATURE SENSOR 3
4	TEMPERATURE SENSOR 4
5	TEMPERATURE SENSOR 5
6	TEMPERATURE SENSOR 6
7	OUT TEMPERATURE SENSOR

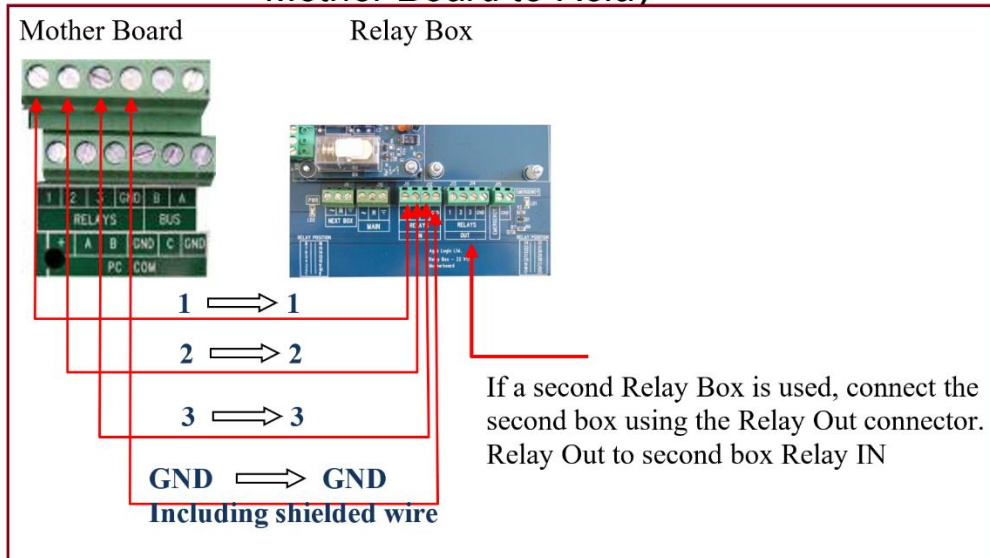
Fast Analog Inputs

		DIP Switch Position			
		SW1		SW2	
		OFF	ON	OFF	ON
1F	HUMIDITY SENSOR		*	*	
2F	STATIC PRESSURE SENSOR		*	*	
3F	CO2 SENSOR		*	*	
4F		*			*
5F		*			*
6F		*			*
7F		*			*
8F		*			*

Image 3 main installation *Power Supply*



Mother Board to Relay



Communication Lines RS485

